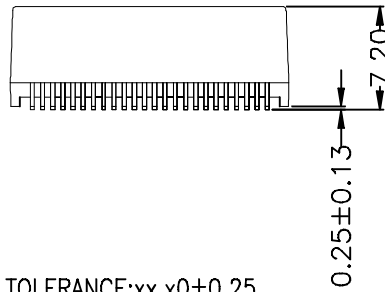
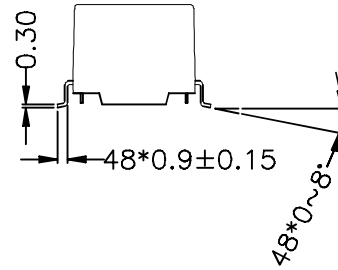


SUGGESTED PAD LAYOUT



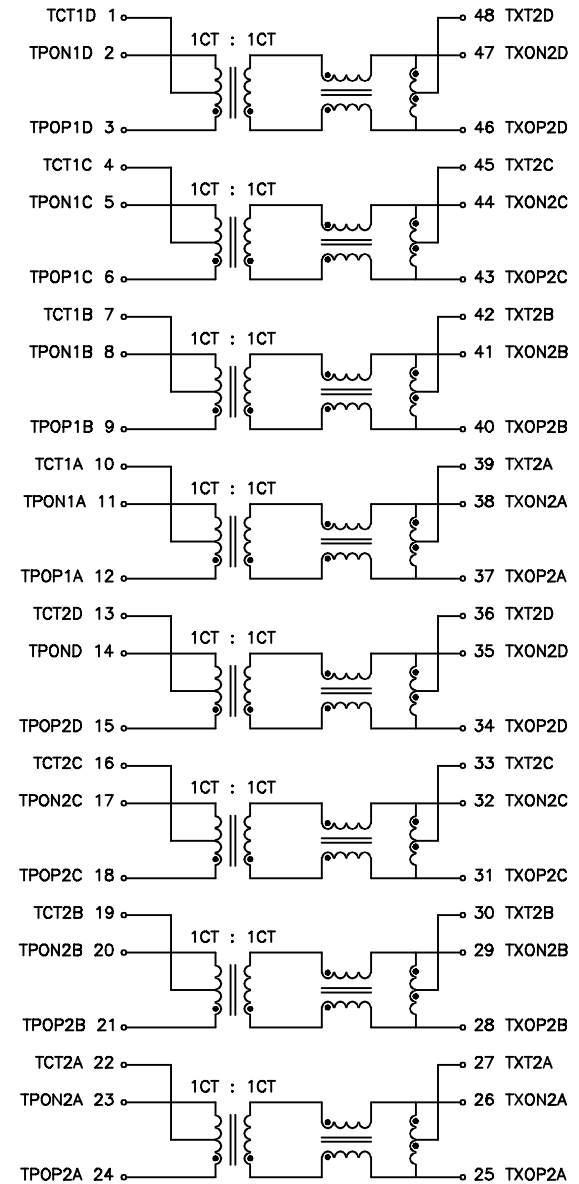
TOLERANCE:xx.x0±0.25
0.xx±0.05



UNLESS OTHERWISE SPECIFIED ALL TOLERANCES ARE ± 0.25

ELECTRICAL CHARACTERISTICS :

- INSULATION HI-POT(PRI./SEC.) : 1500Vrms
- TURN RATIO (±5%) : TX = 1CT : 1CT
RX = 1CT : 1CT
- OCL : 350uH MIN. 100KHz/0.1V AT 8MA DC BIAS
- INSERTION LOSS : 1-100MHz = -1.0dB MAX.
- RETURN LOSS (dB MIN.) : 1-30MHz 40MHz 50MHz 60-80MHz 100MHz
-18 -14.4 -13.1 -12 -10
- CROSS TALK (dB MIN) : 30MHz 60MHz 100MHz
-40 -35 -30
- RISE TIME : 3.0nS MAX.
- COMMON MODE REJECTION : 30MHz = -43dB MIN.
60MHz = -37dB MIN.
100MHz = -33dB MIN.
- RoHS COMPLIANT



								TITLE DUAL	
								1000 BASE-T	
								DWG. NO.	
								ATPL-168R	
RELEASE						UNITS:		SAFETY	
NO: DESCRIPTION DATE BY CHK APPD						DATE		SHEET 1 of 1	
REVISIONS								DRAW	